

CSG SERIES

UNFIRED CLEAN STEAM GENERATOR



FEATURES:

- Accurate Pressure Control
- Fully packaged for quick and easy single point connections
- Available in vertical or horizontal construction options.
- Fully modulating energy input
- Engineered using steam or boiler water as the heating medium
- Complete Factory Packaged Controls
- Available in electronic or pneumatic controls
- NEW Advanced Electronic PID controls with touchscreen user interface and compatible with Building Management System via ModBus IP or built-in BacNet IP
- Ideal for New or Retrofit applications
- All 316 Stainless Wetted Surfaces for clean steam
- ASME B&PV Code Sec. VIII, Div. 1 Stamped, (UB or U Stamp options)
- Warranty: Tube Bundle (3) years, Shell (5) years

The CSG Series of Unfired Clean Steam Generators from Sussman provide engineers and facility professionals with superior performance in commercial and institutional applications. The steam generator vessels are designed with high-quality materials that meet ASME standards and generate clean steam, making them well suited for sterilized environments such as hospitals, medical centers, and pharmaceutical laboratories. Depending upon application requirements, solutions are available for low, medium, and high-pressure clean steam options.

Installation is simple, as all components are mounted and pre-piped before shipment, requiring only connections to the services. The advanced electronic PID controls with a touchscreen user interface are compatible with Building Management System via Modbus IP or built-in BacNet IP.

STANDARD USG PACKAGE INCLUDES:

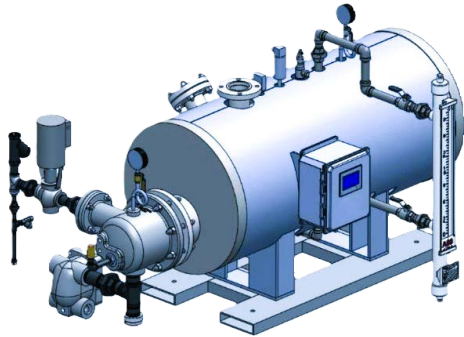
- ASME Code Constructed and National Board Registered Vessel
- Fiberglass Insulation
- 22 Gauge standard galvanized Steel Jacket
- Carbon Steel Support Skid Base
- Pressure Gauge and vacuum breaker on head
- Manual and automatic Blow Down Valve on timer basis
- Magnetic Level Controller
- Internal Steam Separator
- High Pressure & Low Water Cut Off
- ASME Pressure Relief Valve

STANDARD FEATURES:

- Remote Enable/Disable
- Remote Alarm
- Vacuum Breaker
- Unfired Steam Generator Make Up Water Feed
- High Water Cut-Off Option for Unfired Steam Generator

OPTIONAL FEATURES:

- Total Dissolved Solids Monitor for surface blowdown
- Automatic Blow Down Timer & Automatic Blow Down Valve
- Economizer for condensate sub-cooling option
- Centrifugal boiler blow off cooler



APPLICATIONS:

- Ideal for new or retrofit installations
- Suitable for both single or multiple unit installations
- Commonly used of humidification, sterilization, basic heating and industrial applications
- Support variety of applications including:
 - Hospitals/ Medical Centers
 - Universities
 - Nursing Homes
 - Pharmaceutical
 - Food Processing
 - Hotels
 - Apartment Buildings
 - Art Museums
 - Bio-Medical Research Labs
 - Commercial Laundries

SPECIFICATIONS:

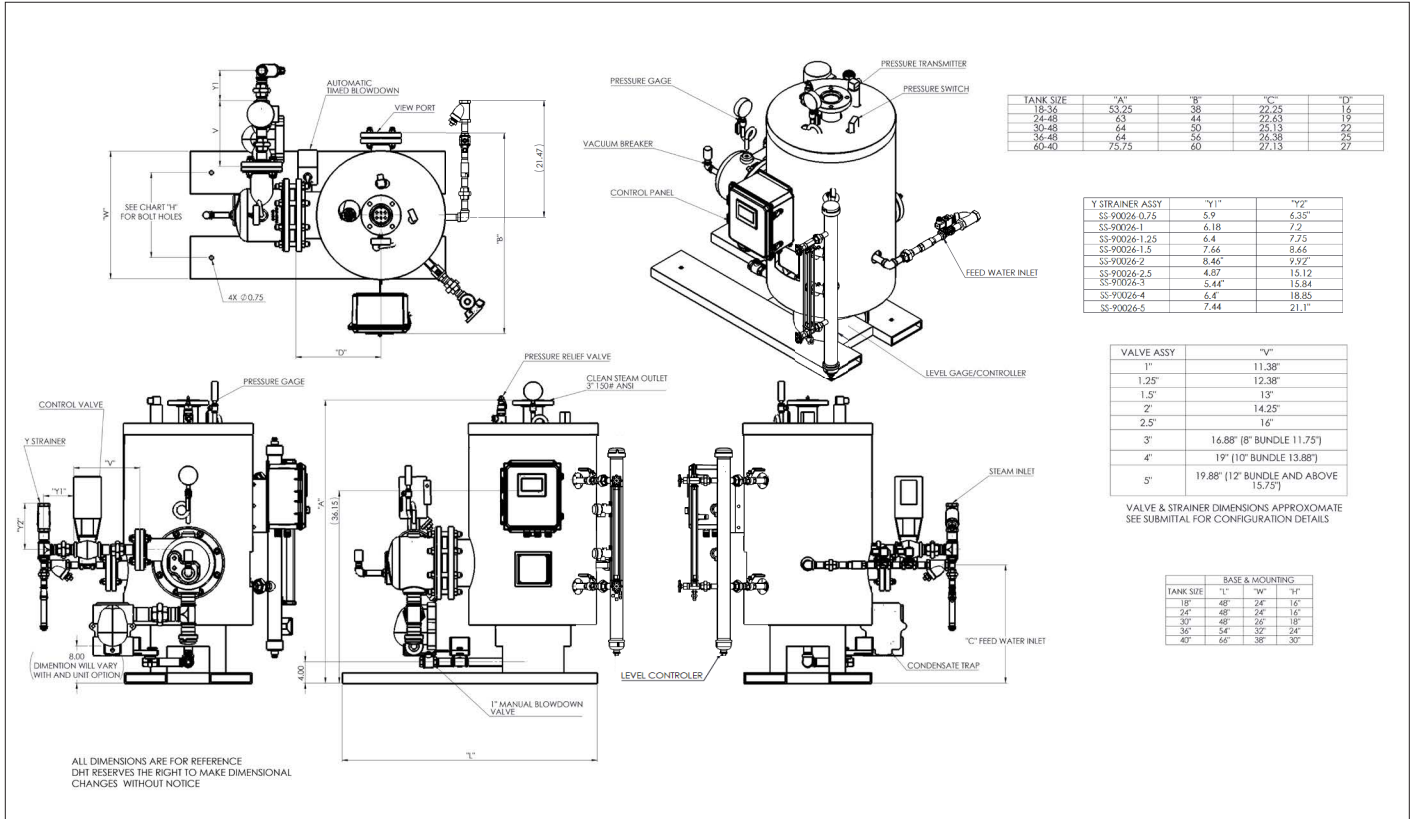
ENERGY SOURCE: STEAM

| | |
|--|--|
| Electrical Requirements | 110V/1Ph/60Hz |
| Full Load Amperage Draw | 4 Amps |
| Max. Primary Steam Supply Pressure | 150 PSIG |
| Max. Clean Steam Pressure | Up to 90 PSIG (Consult factory for higher pressure) |
| Adjustable Pressure Control | up to 90 PSIG |
| Adjustable Over Pressure Limit Control | 10-100 PSI (standard) 35-200 PSI (high pressure steam greater than 100 PSI) |
| Steam Outlet Connections | Standard 3 inches (optional larger sizes) |
| Standard Listing & Approvals | ASME B&PV Code Sec. VIII, Div. 1 Stamped (U or UB Stamp options) |

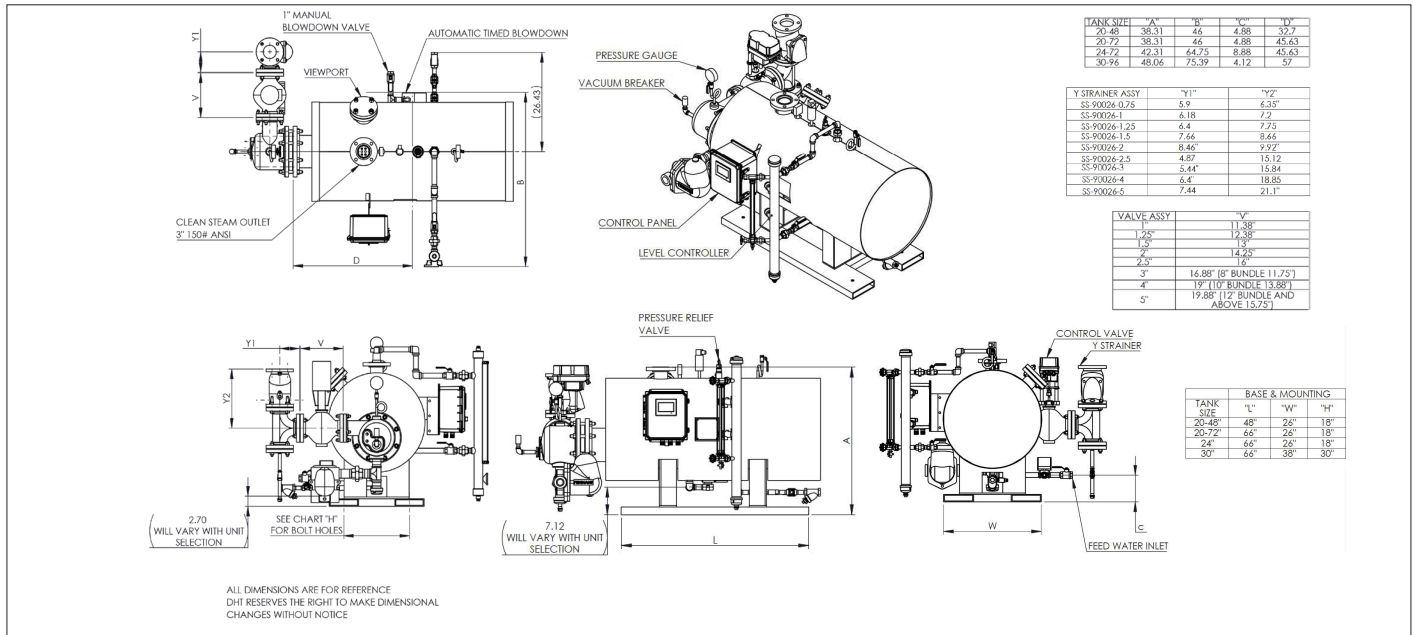
ENERGY SOURCE: HIGH TEMP HOT WATER

| | |
|--|--|
| Electrical Requirements | 110V/1Ph/60Hz |
| Full Load Amperage Draw | 4 Amps |
| Max. Primary Hot Water Supply Temp | 450F |
| Max. Clean Steam Supply Pressure | Up to 90 PSIG (Consult factory for higher pressure) |
| Adjustable Pressure Control | up to 90 PSIG |
| Adjustable Over Pressure Limit Control | 10-100 PSI (standard) 35-200 PSI (high pressure steam greater than 100 PSI) |
| Steam Outlet Connections | Standard 3 inches (optional larger sizes) |
| Standard Listing & Approvals | ASME B&PV Code Sec. VIII, Div. 1 Stamped (U or UB Stamp options) |

VERTICAL CONFIGURATION:



HORIZONTAL CONFIGURATION:



Note: Dimensions and Specifications subject to change without notice.

STEAM HEAT EXCHANGERS CONTROLLER:

FEATURES:

- 4.3" Wide HMI Touchscreen display
- Feedforward Logic Controller includes 1/8 DIN with LCD display (back-up interface).
- Data Logging
- Fault Log
- Trending/Graphing
- Compatibility with Modbus IP and BacNet IP BAS system standard without the need for external gateway.
- A gateway can be used for all other protocols



The NEW DHT state of the art control system offers unmatched performance and full user configurable for steam generation applications. It features a durable pressure sensor transmitting a 4 to 20mA signal. The signal transmits directly into the advanced PID controller, which in turn sends a signal to the electrically activated fully modulating and fast acting control valve to achieve accurate temperature control over various demand situations. The controller has a 4.3-inch TFT color touchscreen user interface and is compatible with a Building Management System via Modbus IP or built-in BACnet IP. Optional communications gateway is also available for RS485 communication.

SPECIFICATIONS:

| | |
|-------------------------------------|---|
| Enclosure Dimensions | 12"H x 10" W x 6" D |
| Display | 4.3" TFT Color LCD |
| Graphics Display Resolution/ Colors | 480 x 272 pixels w/ 16 million display colors |
| Backlight | White LED, service life 50,000 hours and 24hr operation |
| Brightness control | 16 Levels (Adjusted with touch panel) |
| Operating Mode | Single Tone, Visual Indicator |
| Memory | 8Gb |
| Supply Voltage | 120/240 VAC |
| Certifications | NEMA 4, UL |

DHT can accept no responsibility for possible errors in catalogs, brochures, and other printed material. DHT reserves the right to alter its products without notice. DHT and the DHT logotype are trademarks of DHT. All rights reserved.



439 Main Road, Rte. 202
Towaco, NJ 07082
www.dhtnet.com

Phone: 718-386-6666 Toll Free: 800-221-1522
Fax: 718-386-7809
Email: seb@dhtnet.com